

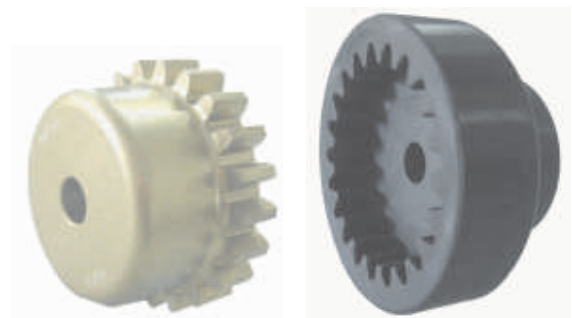


Polytex Coupling is made in a laminated moulded fabric are commonly used for the construction of silent gears. These couplings are extremely simple, consisting of only two parts. The teeth on the steel gear half are completely enclosed within the moulded portion.

The gear teeth are generated to a high degree of accuracy and owing to the number of teeth in contact, the load is uniformly distributed. This results in a coupling of great strength, light weight and low cost.

### FEATURES

- ▶ This is an ideal low cost flexible coupling having many advantages for light power transmission.
- ▶ Polytex Couplings combine high breaking strength and natural resilience with permanence of form.
- ▶ Moulded half can be electrically and thermally isolated from the steel half.
- ▶ The bore of the moulded half is reinforced with a metal bush to take a standard keyway.
- ▶ Coupling is not affected by extremes of temperature or the presence of oil, water, petrol and most acids.

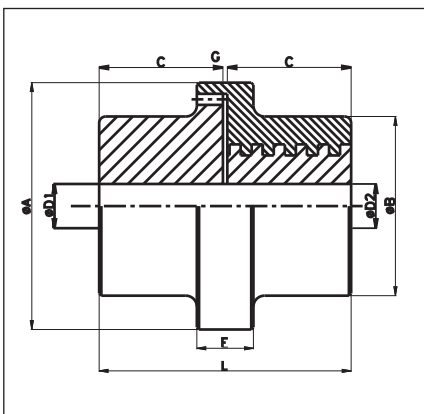


Steel Half

Moulded Half

### Lubrication :-

- ▶ The gear teeth should be lubricated occasionally with Special Grease.



### TECHNICAL DATA

Coupling Size	KW at 100 rpm	ØA	ØB	C	Max Bore		Min Bore (ØD1 - ØD2)	E	G	Wt. Kg.
					Ø D1	Ø D2				
RLPGT1	0.4	65	44	29	25	20	9	14	1.6	0.5
RLPGT2	1.5	90	57	38	35	30	13	27	1.6	1.5
RLPGT3	2.2	105	79	57	42	38	16	29	1.6	2.9
RLPGT4	4.5	140	105	76	55	52	25	41	3.2	7.7

All dimensions are in mm unless otherwise specified.

In view of our constant endeavour to improve quality of our products, we reserve the right to alter or change specifications without prior notice.



**ALLIED INDIA CORPORATION**

D2-19,Raj Garden, Sr.no - 43, A/1, Kondhwa Khurd  
Pune 411048 (M.S) INDIA.  
Telephone: +(91)-(20)-32326635 Mobile No: +(91)- 09604374540  
Fax: +(91)-(20)-26930130  
Email Id : [info@aicwbiz.com](mailto:info@aicwbiz.com), [interlinks\\_aic@hotmail.com](mailto:interlinks_aic@hotmail.com)  
Website : [www.aicwbiz.com](http://www.aicwbiz.com)

Distributor