



MUFF COUPLINGS are rigid coupling, designed for use in system where **misalignment is neither present nor desired**. These coupling offer an easy & cost effective method for extending a shaft or adapting between two different shaft sizes.



- Does not Mar the shaft.
- High tensile fasteners assure firm tightening, prevent loosening under vibrations.
- Alternate clamping takes care of better balancing.
- Precision bores makes it easy, simple for quick assembly & alignment.

F E A T U R E S

SIMPLICITY OF CONSTRUCTION

Very few components easy for assembly & dismantling.

NO LUBRICATION

Due to rigid connecting no lubrication is required.

SIMPLE / EASY MAINTENANCE

Their high torque capabilities makes them suitable for higher rpm power transmission applications.

LOW OPERATIONAL COST

As no lubrication is required & maintenance is minimal, operational cost is very low.

SMOOTH & QUIET OPERATION

No moving part hence noiseless operation.

Application :

Various types are available to suit different application needs such as :

- Grooved muff couplings for vertical applications.
- Through bore muff couplings.
- Stepped bore muff couplings.
- 3 Piece couplings.
- Ribbed muff couplings.

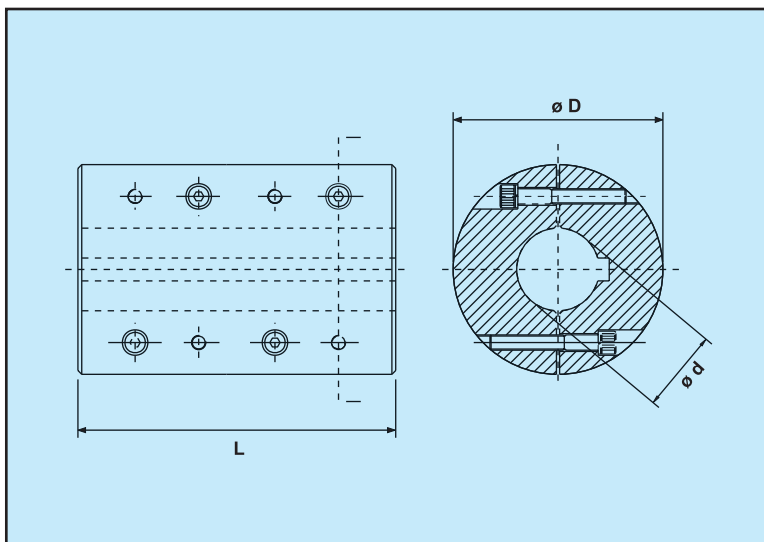
All above can be made in different material-Cast Iron, Carbon steel Aluminium, Stainless



ALLIED INDIA CORPORATION

MUFF COUPLINGS

**TYPE
MC**



ORDERING EXAMPLE :

* FOR THROUGH BORES

d = 55 mm

Muff Coupling Size - MC 55

* FOR STEPPED BORES

d = 55 mm & 60 mm

Muff coupling Size - MC 55 / 60

(Ref overall dimensions of MC 60)

TECHNICAL DATA

COUPLING SIZE	MAX. BORE ϕd	TORQUE (Nm)		ALLEN HEAD SCREWS	OUTSIDE DIAMETER D	LENGTH L
		WITH KEY	WITHOUT KEYWAY			
MC 20	20	352	235	8 - M 8	60	100
MC 25	25	668	445	8 - M 10	80	130
MC 30	30	801	534	8 - M 10	80	130
MC 35	35	1126	750	8 - M 10	80	160
MC 40	40	1247	831	8 - M 10	80	160
MC 45	45	1546	1230	8 - M 10	100	190
MC 50	50	2052	1366	8 - M 10	100	190
MC 55	55	3015	2010	8 - M 10	120	220
MC 60	60	3286	2190	8 - M 10	120	220
MC 70	70	4836	3224	10 - M 12	140	250
MC 80	80	6804	4535	10 - M 12	160	280
MC 90	90	8383	5588	10 - M 16	180	310
MC 100	100	12480	8320	12 - M 16	200	350
MC 110	110	15840	10560	12 - M 16	220	390
MC 120	120	20646	13764	14 - M 16	250	430
MC 140	140	32634	21756	14 - M 20	280	490
MC 160	160	45120	30080	14 - M 24	320	560
MC 180	180	67392	44928	14 - M 24	360	630
MC 200	200	82680	55120	14 - M 27	400	700
MC 220	220	109048	72730	16 - M 30	450	770
MC 240	240	138384	92250	16 - M 30	480	840
MC 260	260	164424	109160	16 - M 36	520	910
MC 280	280	205422	136900	16 - M 42	570	980

All Dimensions are in mm unless otherwise specified.



ALLIED INDIA CORPORATION

D2-19,Raj Garden, Sr.no - 43, A/1, Kondhwa Khurd
Pune 411048 (M.S) INDIA.
Telephone: +(91)-(20)-32326635 Mobile No: +(91)- 09604374540
Fax: +(91)-(20)-26930130
Email Id : info@aicwbiz.com, interlinks_aic@hotmail.com
Website : www.aicwbiz.com

Distributor