

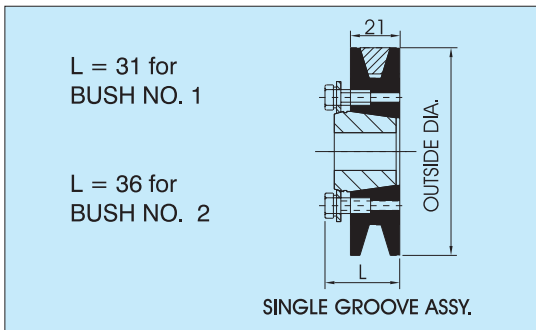
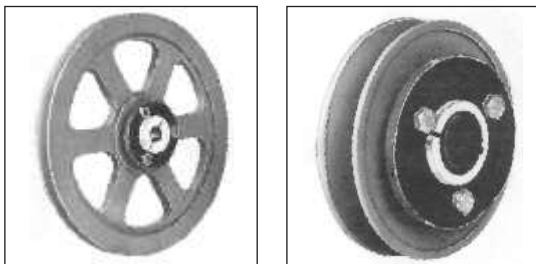
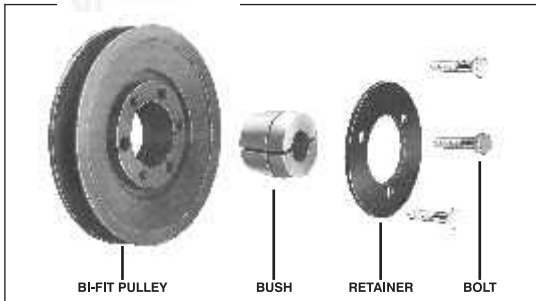
FEATURES

- New Metric range of BI-FIT dual duty pulleys.
- All sizes accept A or B V-belts.
- Single and double pulleys from minimum basic stock.
- Light-weight cast iron pulleys and twin taper steel bushes in metric and imperial bores.
- Shrunk-on-fit without keys or grub screws ON and OFF in a minute.
- Easily fitted - all you need is a spanner-for removal; slacken screws and lightly tap hexagon heads - it is so easy.
- The BI-FIT system provides real benefits - no costly re boring.

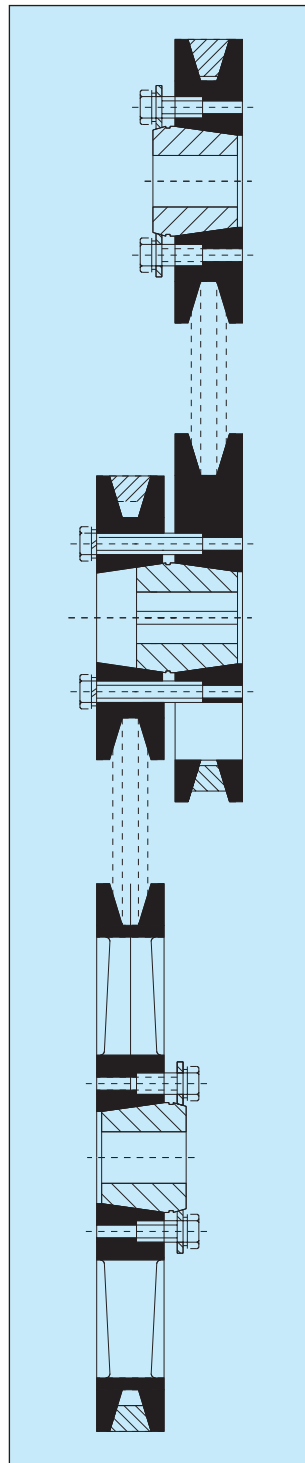
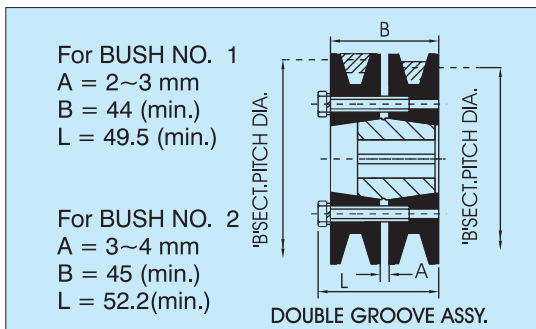


ALLIED INDIA CORPORATION BI - FIT SYSTEMS

**TYPE
BF**



*For actual pitch dia. deduct 0.2 mm. up to 190 mm. deduct 0.3 mm above 190 mm.
#For actual outside diameter deduct 0.32 mm.
●All dimensions are in mm. otherwise stated.



- Pulleys are made from graded Cast Iron and twin taper bushes in steel.
- Twin taper bushes are available in wide range of bores - Metric & Imperial.
- Pulleys are fully machined (Upto size 180 A); inherently balanced.
- Suitable for 'A' or 'B' section V-Belts.
- Simple & easy to install and remove.
- Shrunk-on-fit. No keys or grub screws required.
- Can be used as single, double and stepped pulley from minimum stock.
- Low cost and low inventory.

BI-FIT PULLEYS				
Pulley Size	Pitch Dia *	Outside Dia #	Mass Kg.	Suitable Bush Retainer Size
71A	81	88	0.35	1
75A	85	92	0.40	
80A	90	97	0.45	
85A	95	102	0.50	
90A	100	107	0.55	
95A	105	111	0.65	
100A	110	117	0.75	
106A	116	123	0.80	
112A	122	129	0.95	
118A	128	135	1.00	
125A	135	142	1.05	
132A	142	149	1.10	
140A	150	157	1.35	2
150A	160	167	1.45	
160A	170	177	1.65	
180A	190	197	1.90	
200A	209	216	2.20	
224A	233	240	2.40	
250A	259	266	2.75	
280A	289	296	3.10	
315A	324	331	3.60	
355A	364	371	4.10	
400A	409	416	6.35	
450A	459	466	7.30	

BI-FIT BUSHES			
BUSH NO.1		BUSH NO.2	
METRIC	IMPERIAL	METRIC	IMPERIAL
11	0.375"	16	0.500"
12	0.437"	18	0.562"
14	0.500"	19	0.675"
15	0.562"	20	0.687"
16	0.625"	22	0.750"
18	0.687"	24	0.812"
19	0.750"	25	0.875"
20	0.812"	28	0.937"
22	0.875"	30	1.000"
24	0.937"	32	1.062"
25	1.000"	35	1.125"
28	1.062"	38	1.187"
	1.125"	40	1.250"
		42	1.312"
			1.375"
			1.437"
			1.500"
			1.562"
			1.625"
Mass kg.-0.14		Mass kg.-0.32	

NOTES:

1. Mount single, double or different diameter pulleys on one bush.
2. Use Retainer & Screws for single pulley assembly.
3. Use Bolts for double groove pulley assembly.



ALLIED INDIA CORPORATION
D2-19,Raj Garden, Sr.no - 43, A/1, Kondhwa Khurd
Pune 411048 (M.S) INDIA.
Telephone: +(91)-(20)-32326635 Mobile No: +(91)- 09604374540
Fax: +(91)-(20)-26930130
Email Id : info@aicwbiz.com, interlinks_aic@hotmail.com
Website : www.aicwbiz.com

Distributor